

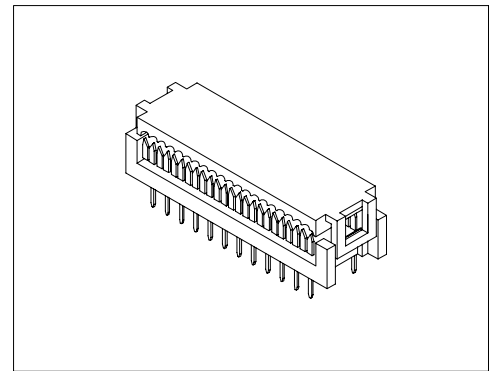
Specifications/技术参数:

Electrical/电气特性:

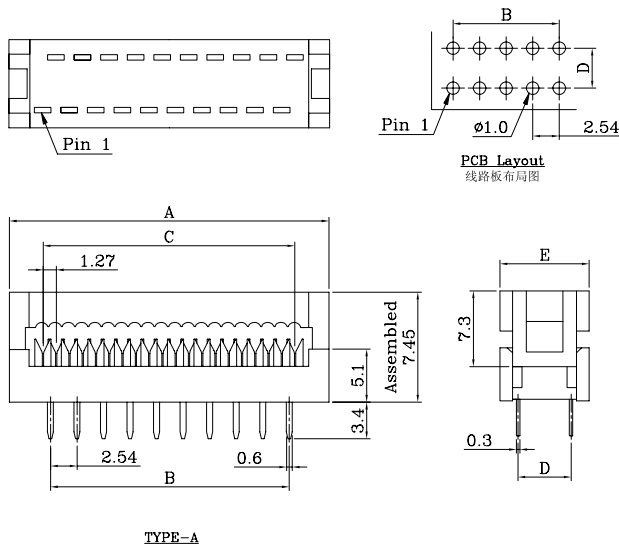
Current Rating (额定电流): 1A
 Withstand Voltage (耐压值): 500VAC for one minute
 Contact Resistance (接触电阻): 30mΩ max
 Insulation Resistance (绝缘电阻): 1000MΩ min
 Operating Temperature (工作温度): -55°C ~ +105°C

Physical/物理特性:

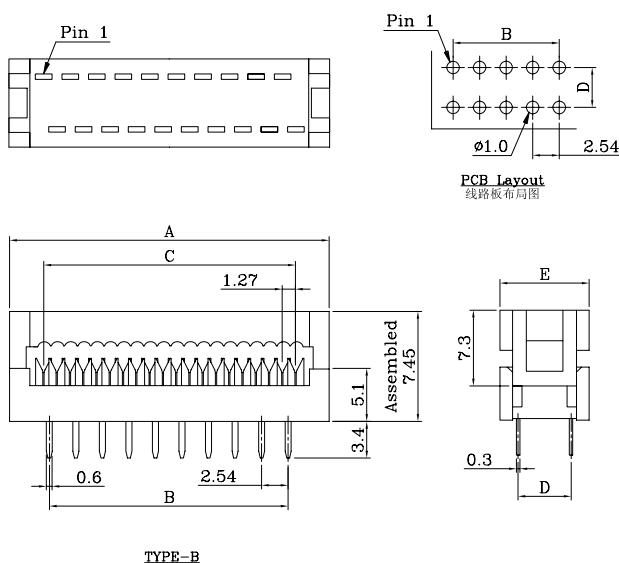
Insulator (塑胶本体): P.B.T +30% Glass Fiber
 Flammability Rating (防火等级): UL 94V-0
 Contacts (接触件): Phosphor Bronze or Brass
 Contacts plating (接触件电镀): Gold over Nickel or Tin



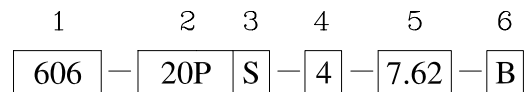
Dimension/尺寸: mm



| Poles | Dim A | Dim B | Dim C | Dim D | Dim E |
|-------|-------|-------|-------|-------|-------|
| 8 | 15.72 | 7.62 | 8.89 | 7.62 | 11.08 |
| 10 | 18.26 | 10.16 | 11.43 | 7.62 | 11.08 |
| 14 | 23.34 | 15.24 | 16.51 | 7.62 | 11.08 |
| 16 | 25.88 | 17.78 | 19.05 | 7.62 | 11.08 |
| 18 | 28.42 | 22.86 | 21.59 | 7.62 | 11.08 |
| 20 | 30.96 | 27.94 | 24.13 | 7.62 | 11.08 |
| 24 | 36.04 | 30.48 | 29.21 | 15.24 | 18.70 |
| 28 | 41.12 | 33.02 | 34.29 | 15.24 | 18.70 |
| 34 | 48.74 | 35.56 | 41.91 | 15.24 | 18.70 |
| 40 | 56.36 | 40.64 | 49.53 | 15.24 | 18.70 |



Ordering Code/订购型号:



- Series No./系列号: 606
- Poles/位数: 8~40P
- Contact Plating/接触件电镀:
S = Selective Gold(半金)
G = Gold Flash(全金)
- Color/胶体颜色:
N/A(缺省) = Black(黑色)
4 = Grey(灰色)
- Dimension/行距尺寸:
D = 7.62 or 15.24
- Options/选项:
A = Type-A(类型A)
B = Type-B(类型B)